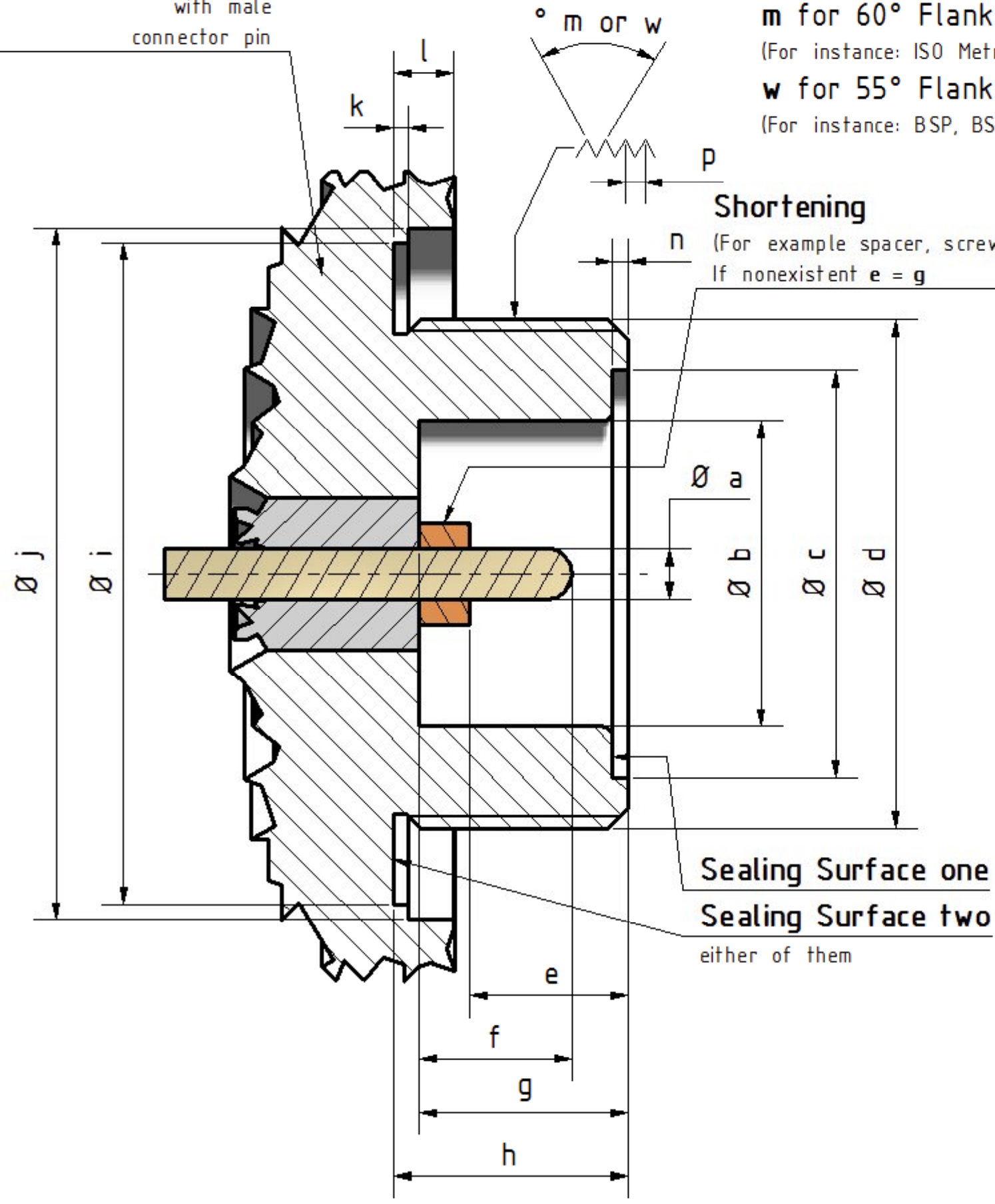


Outer Thread Test Tap

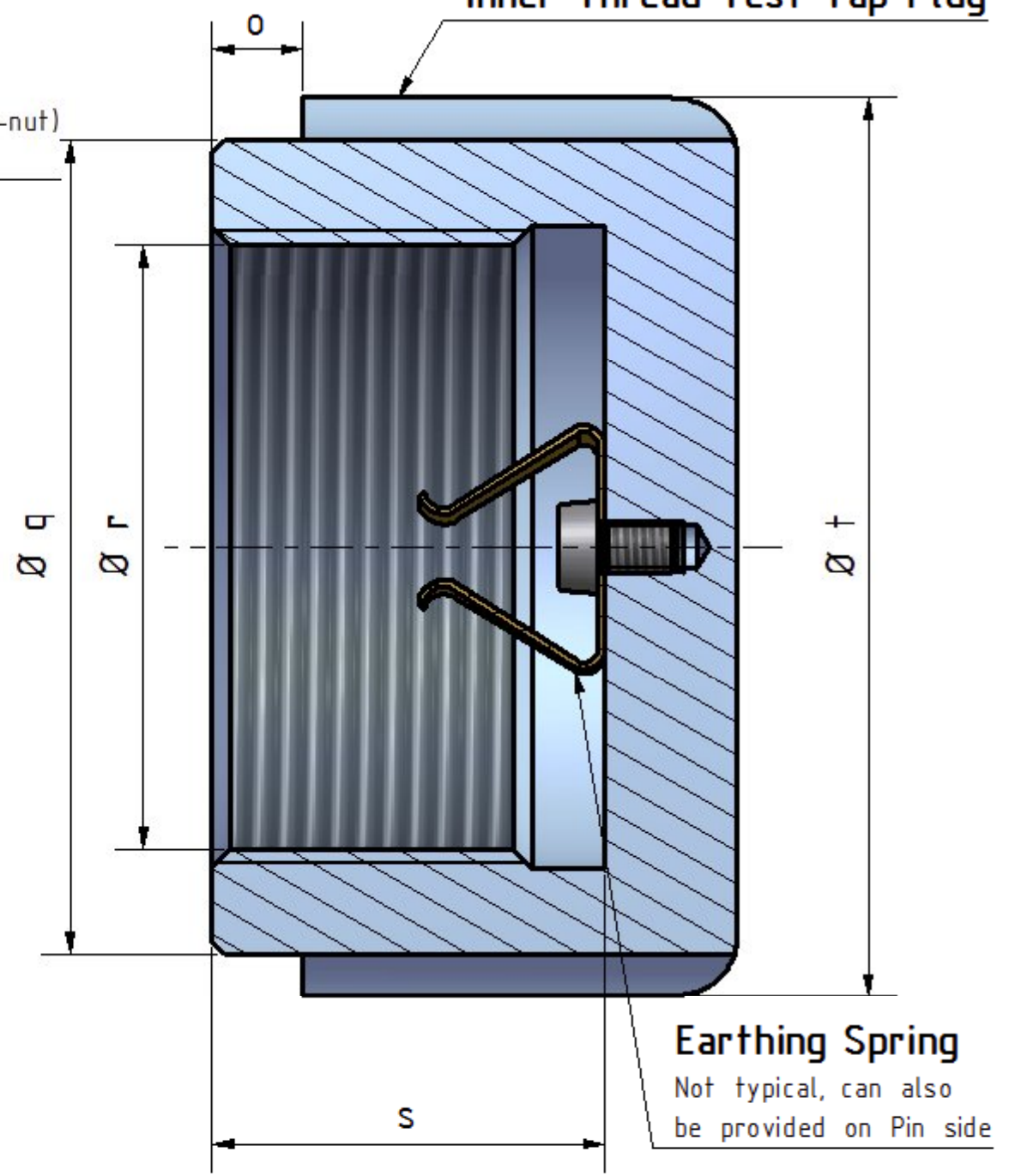
with male connector pin

Thread Pitch and Flank Angle

m for 60° Flank Angle
 (For instance: ISO Metrical, -UN, -UNS, -UNF, -UNC Threads)
w for 55° Flank Angle
 (For instance: BSP, BSW, (GB) Withworth Threads)



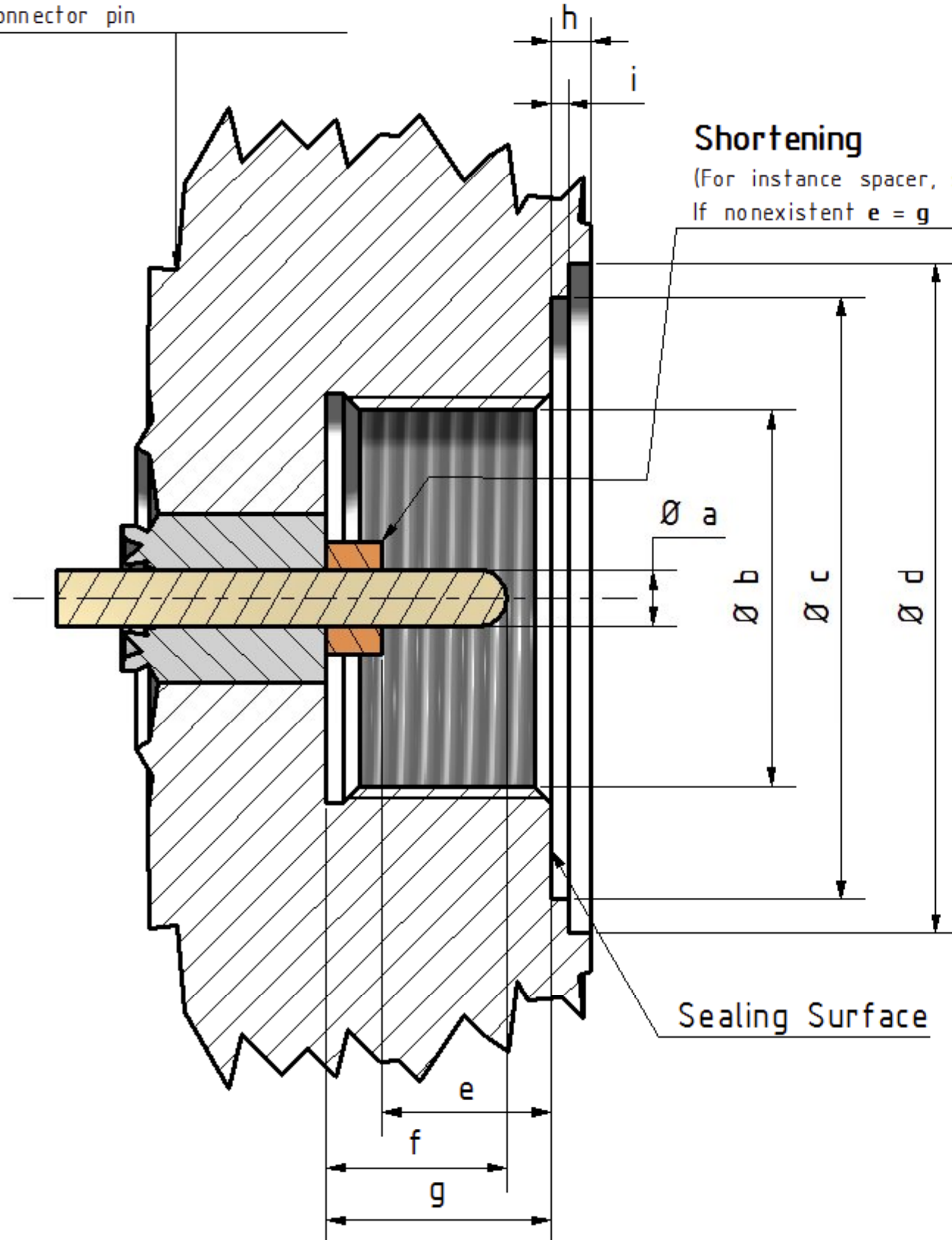
Inner Thread Test Tap Plug



Test Tap Determination v1.1
 Power Diagnostix Systems GmbH
 Vaalser Strasse 250, 52074 Aachen, Germany, www.pdix.com

Inner Thread Test Tap

with male connector pin



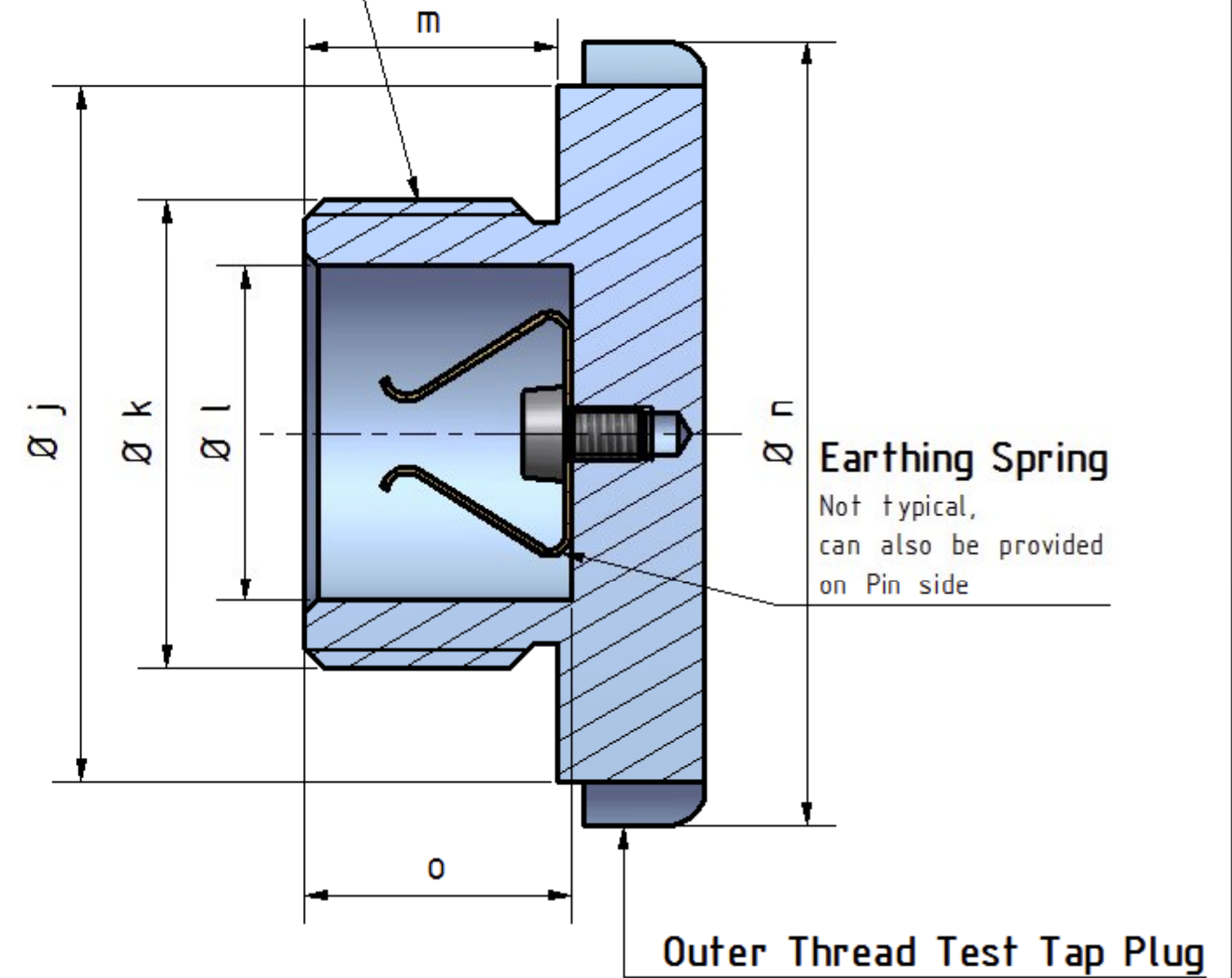
Thread Pitch and Flank Angle

m for 60° Flank Angle

(For instance: ISO Metrical, -UN, -UNS, -UNF, -UNC Threads)

w for 55° Flank Angle

(For instance: BSP, BSW, (GB) Withworth Threads)



Test Tap Determination v1.1

Power Diagnostix Systems GmbH

Vaalser Strasse 250, 52074 Aachen, Germany, www.pdix.com