

HVcontrol



The HVcontrol unit combines all standard functions required to manually operate a high voltage transformer. It includes a safety contact loop, the measurement of primary and secondary current, as well as of the primary voltage. User-settable limits for the primary and secondary current trip the main circuit breaker. The safety loop, as well as the emergency stop is hard wired and equipped with forced contacts.

Due to its flexible design, the HVcontrol can be used on any high voltage test set. Especially, in case of the modernization of old test sets, the HVcontrol offers a multitude of improvements if compared with conventional relay based controls.

The unit comes with rigid solid-state piezo push buttons. Each of these control buttons has an illuminated ring to indicate the state of the function controlled by this specific button. This allows an easy and intuitive operation of the HVcontrol.

The HVcontrol comes in a 19"-subrack (3HU). This makes it an easy replacement of older controls having the same size. On its rear panel, the HVcontrol offers conveniently detachable screw terminals for the different controls and optional instruments.

*Drop-in replacement
of old control units*

Modular Concept

Besides a mere drop-in replacement of an old control, the HVcontrol can be combined with other test instruments of Power Diagnostix to build a fully automated acceptance test environment.

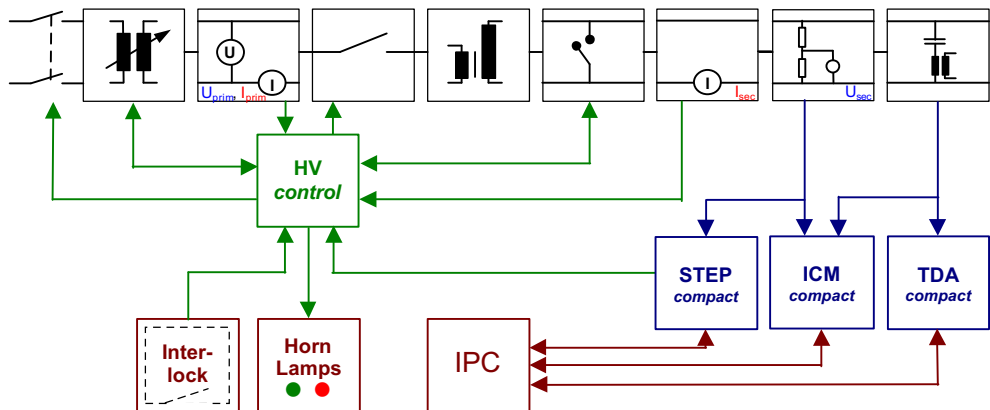
On its rear panel, the HVcontrol is prepared to directly connect to the STEPcompact, Power Diagnostix instrument for the automation of test sequences (step test).



HVcontrol embedded in a control desk

HVcontrol - High Voltage Test Control Unit

Instruments



Block diagram for the connection of a HV control

Further, the instrument can be combined with the ICMcompact for partial discharge testing and with the TDAcompact for $\tan\delta$ and capacitance measurements.

Additionally, this software can connect to the ICMcompact to read the partial discharge level and to the TDAcompact to read the $\tan\delta$ as well as the capacitance of the device under test.

Fully automated test systems

Power Diagnostix also provides industrial PC's to control the combination of instruments. Depending on the application and its requirements, the instruments can be mounted in desktop enclosures, 19" racks, or control desks fitted with 19" mounts.

HVpilot Software

The HVpilot software allows the complete supervision of a high voltage test sequence. Using a serial interface, the software connects to the STEPcompact for the voltage control and measurement. Further, the HVpilot software offers convenient programming and editing of the test sequences.



Control and measurement system

Easily replacing out-dated control units of high voltage test sets make the HVcontrol a good choice when modernizing high voltage test labs. Additionally, the HVcontrol is prepared to interface with the STEPcompact for automated high voltage tests.